

AC-DC POWER SUPPLIES

UNIVERSAL INPUT, 65 WATT

MEDICAL APPLICATIONS

MUI65 SERIES



FEATURES

- Universal Input Range
- Operating Temperature Range: -25° to 80°C (with derating)
- Compact Package: 2.00" × 3.00" × 1.16"
- Mounting Options: Screw Terminal, Chassis Mount, Din Rail, Open Type, Enclosed (Standard)
- High Efficiency: Up to 92%
- Active Power Factor Correction
- Low Leakage Current Under 75µA
- Built-in EMI Class A Filter
- 2000VAC Input to Output 2 MOPP Isolation
- Class I and Class II Protection
- Medical Safety Approvals: UL, CE and ANSI/AAMI ES60601-1, EN60601-1 and IEC60601-1 3rd Edition
- RoHS Compliant to 2011/65/EU
- 0.11 Watt Low Standby Power Consumption
- Operating Altitude 5000M

SELECTION GUIDE

All specifications are typical at 230Vac input, full load and 25°C, unless otherwise noted.

Input Range Vac	Output Voltage Vdc	Output Current at Convection Cooled 60°C Ta A	Max. Output Power W	Input Power at No Load W	Efficiency %	Model Number*
85 - 264	5	10	50	0.11	90	MUI65-5SB
85 - 264	7.5	8.67	65	0.11	90	MUI65-7SB
85 - 264	9	7.23	65	0.11	91	MUI65-9SB
85 - 264	12	5.42	65	0.11	92.5	MUI65-12SB
85 - 264	15	4.34	65	0.11	93.5	MUI65-15SB
85 - 264	24	2.71	65	0.11	93.5	MUI65-24SHB
85 - 264	24	2.71	65	0.11	92	MUI65-24SB
85 - 264	28	2.33	65	0.11	93.5	MUI65-28SHB
85 - 264	28	2.33	65	0.11	91.5	MUI65-28SB
85 - 264	36	1.81	65	0.11	92.5	MUI65-36SB
85 - 264	48	1.36	65	0.11	93	MUI65-48SB
85 - 264	53	1.24	65	0.11	92.5	MUI65-53SB

* MUIO: Open Type
 MUIT: Chassis Type
 MUID: Din Rail
 MUI: Enclosed (Standard)

Suffix "T": Screw Terminal
 Class II Protection Type: Use Suffix "B"
 Class I Protection Type: No Suffix

MUI65 SERIES

Input Specifications			Output Specifications			
Voltage range	85 Min., 264 Max., Vac	AC input	Output power, Watt	65 Max.		
	120 Min., 370 Max., Vdc	DC input	Initial set voltage accuracy, %	-1 Min., 1 Max.	230Vac and Full Load	
Input frequency, Hz	47 Min., 63 Max.	AC input	Line regulation, %	-0.2 Min., 0.2 Max.	Low Line to High Line at Full Load	
Input current, A	1.6 Max.	100Vac and full load	Load regulation, %	-0.7 Min., 0.7 Max.	No Load to Full Load, 5Vout	
	0.9 Max.	240Vac and full load		-0.5 Min., 0.5 Max.	Output Voltages	
-0.6 Min., 0.6 Max.				10% Load to 90% Load, 5Vout		
No load input power, Watts	0.11 Typ.	230Vac	-0.4 Min., 0.4 Max.	10% Load to 90% Load, Others		
			Leakage current, μ A	75 Max.	264Vac	Voltage adjustability, %
Start-up time, ms	1000 Max.					-10 Min., 10 Max.
			Rise time, ms	20 Typ.		Minimum load, %
Hold-up time, ms	16 Typ.	115Vac and full load				Ripple and noise, mVp-p
			Input inrush current, A	60 Max.	230Vac	
Input protection	T3.15A/250Vac	Internal fuse in line and neutral				
			Temperature coefficient, %/°C	-0.02 Min., 0.02 Max.		150 Typ.
Transient response peak deviation, %	3Vout, Max.					Transient response recovery time, μ s
			Over voltage protection, %	125 Min., 140 Max.	%	Over load protection, %
Over load protection, %	145 Typ.	%				Short circuit protection
			Short circuit protection	Continuous, automatic recovery		

General Specifications			
Isolation voltage, Vac	1 minute (2MOPP isolation)	Input to Output	4000 Min.
		Input (Output) to F.G.	2500 Min.
Isolation resistance, G Ω	500Vdc		0.1 Min.
Switching frequency, kHz	230Vac	5Vout	60 Typ.
		7.5Vout	80 Typ.
		9Vout	70 Typ.
		Others	120 Typ.

Environmental Specifications			
Operating ambient temperature, °C	Natural Convection with derating	-40 Min.	85 Max.
Storage temperature range, °C		-40 Min.	85 Max.
Operating altitude, m	Vertical direction by natural convection (20LFM)		5000 Max.
Shock		IEC60068-2-27	
Vibration		IEC60068-2-6	
Relative humidity	Non-condensing	5% to 95% RH	

MUI65 SERIES

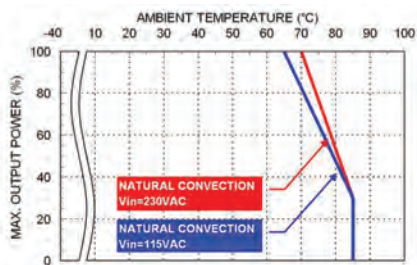
Physical Specifications			EMC Specifications			
Design meet safety standard	ANSI/AAMI, ES60601-1, IEC60601-1, EN60601-1		Specifications	Conditions		Level
Weight, g	117 (4.13oz)	MUIO	EMI ⁽¹⁾	EN55011, EN55022 and FCC Part 18	Conducted	Class B
	157 (5.54oz)	MUIT			Radiated	Class B
	172 (6.07oz)	MUI	Harmonic currents	EN61000-3-2	Full load	Class A
	193 (6.81oz)	MUID	Voltage flicker	EN61000-3-3		
			ESD	EN61000-4-2	Air ±8KV and Contact ±6KV	Perf. Criteria A
Dimensions	2.00" × 3.00" × 1.16" (50.8mm × 76.2mm × 29.46mm)		Radiated immunity	EN61000-4-3	20V/m	Perf. Criteria A
			Fast transient	EN61000-4-4	±2KV	Perf. Criteria A
MTBF	1.494 × 10 ⁶ hrs, MIL-HDBK-217F, Full load		Surge	EN61000-4-5	DM ±1KV and CM ±2KV	Perf. Criteria A
			Conducted immunity	EN61000-4-6	20 Vr.m.s	Perf. Criteria A
			Power frequency magnetic field	EN61000-4-8	10 A/M	Perf. Criteria A
			Dip and interruptions	EN60601-1-2	230Vac 50Hz, 30%, 500mS	Perf. Criteria A
					230Vac 50Hz, 60%, 100mS	Perf. Criteria A
					230Vac 50Hz, >95%, 10mS	Perf. Criteria A
					230Vac 50Hz, >95%, 5000mS	Perf. Criteria B
					100Vac 50Hz, 30%, 500mS	Perf. Criteria A
EN61000-4-11	100Vac 50Hz, 60%, 100mS	Perf. Criteria B				
	100Vac 50Hz, >95%, 10mS	Perf. Criteria A				
	100Vac 50Hz, >95%, 5000mS	Perf. Criteria B				

Note:

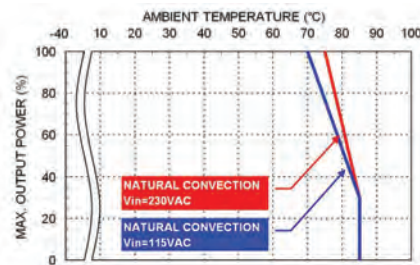
1. External components may be required for Class I application. For further information, please contact Polytron Devices, Inc.

CAUTION: This power module is not internally fused. An input line fuse must always be used.

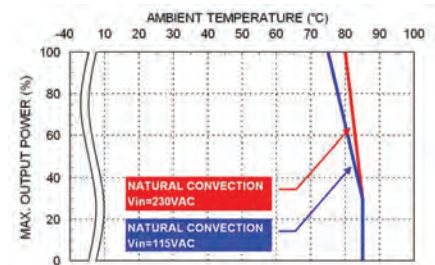
Characteristic Curve



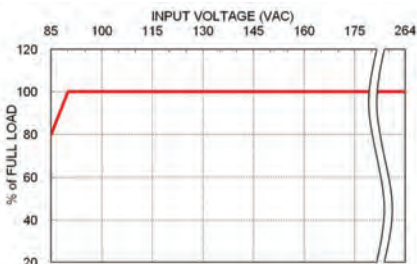
Derating Curve vs. Ambient Temperature
MUI65-XXS XX=7.5, 9, 28Vdc Output



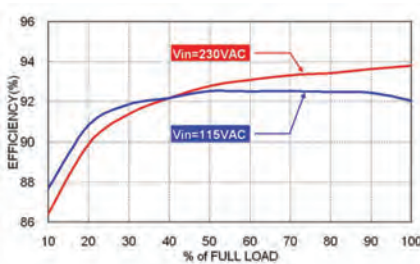
Derating Curve vs. Ambient Temperature
MUI65-XXS XX=12, 24, 36, 48, 53Vdc Output



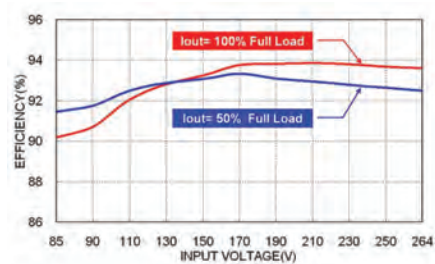
Derating Curve vs. Ambient Temperature
MUI65-XXS XX=15, 24, 28Vdc Output



Derating Curve vs. Input Voltage



Efficiency vs. Output Load



Efficiency vs. Input Voltage

MUI65 SERIES

Pin Connectors

CON1: INPUT CONNECTOR

PIN	
1	Line
3	Neutral

MATES WITH

JST Housing	VHR-3N
JST Crimp Terminals	SVH-21T-P1.1

CON2: OUTPUT CONNECTOR

PIN	
1, 2	-Vout
3, 4	+Vout

MATES WITH

JST Housing	VHR-4N
JST Crimp Terminals	SVH-21T-P1.1

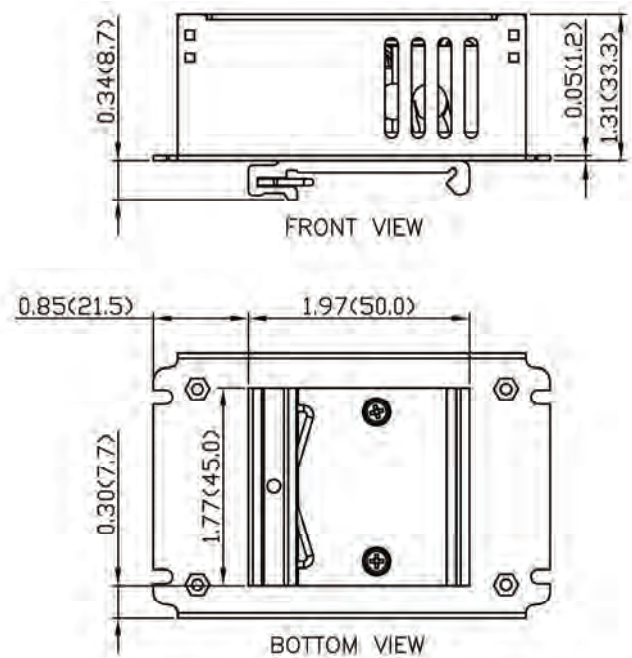
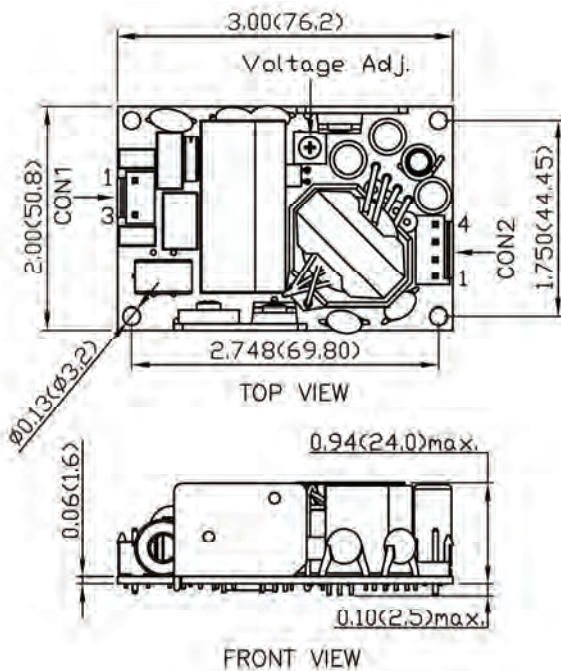
Note:

1. Either one of four screws holes of Open/ Chassis Type can be considered as PE connection for Class I application.

Mechanical Drawing

Open Type

DIN Rail Type



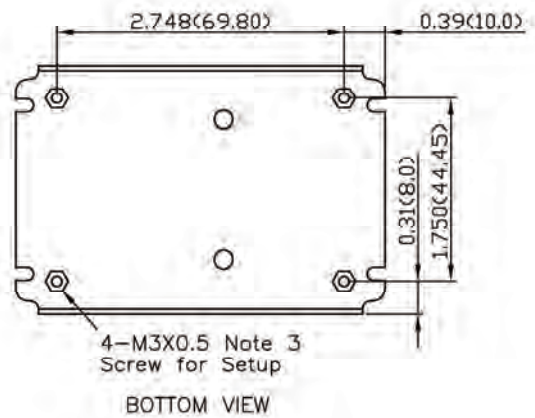
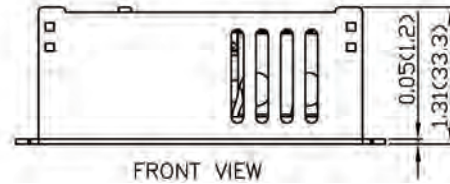
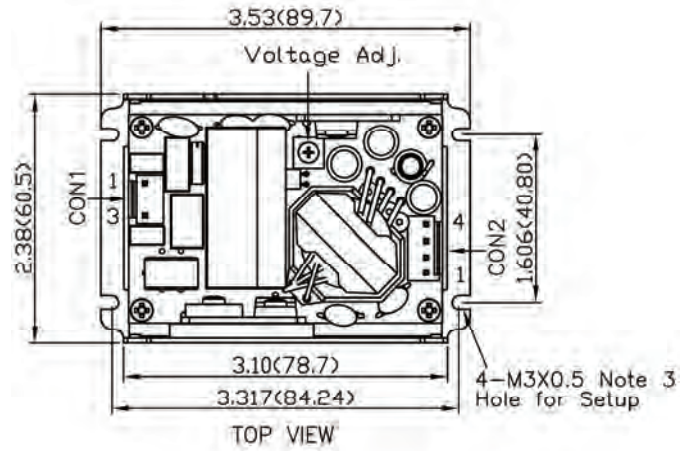
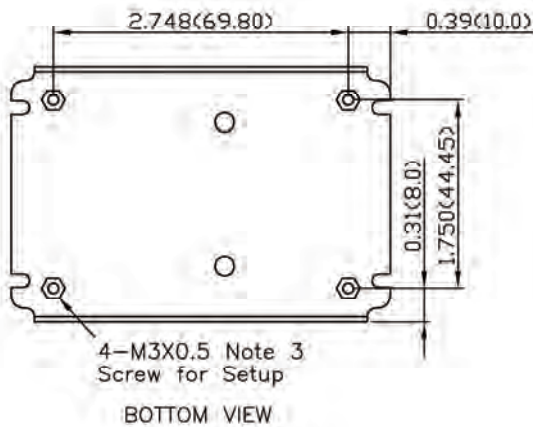
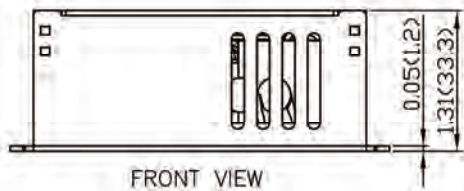
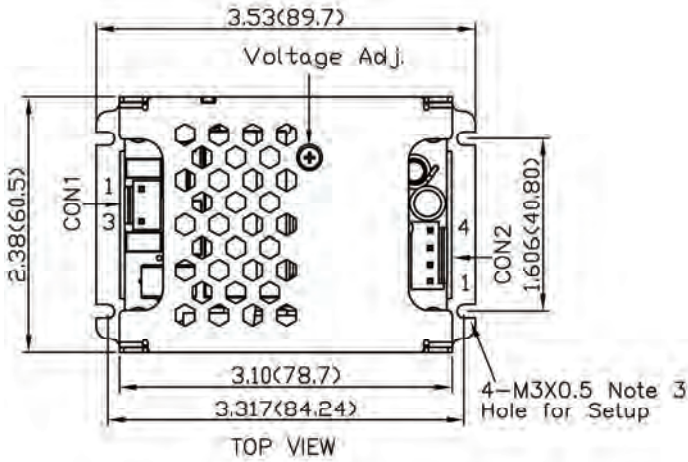
1. All dimensions in inch (mm)
2. Tolerance :x.xx±0.02 (x.x±0.5)
x.xxx±0.01 (x.xx±0.25)
3. M3 × 0.5 screw locked torque MAX
5Kgf.cm/0.49N.m

MUI65 SERIES

Mechanical Drawing

Enclosed Type

U Chassis Type

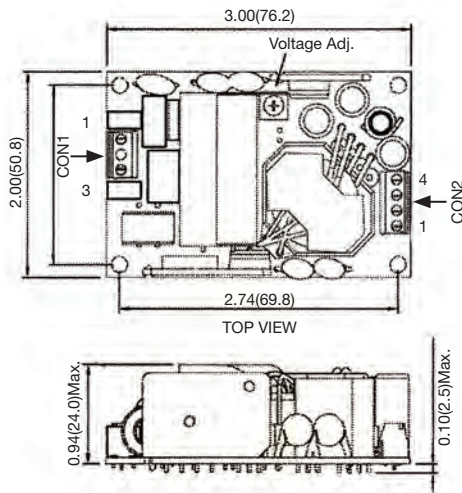


1. All dimensions in inch (mm)
2. Tolerance :x.xx±0.02 (x.x±0.5)
x.xxx±0.01 (x.xx±0.25)
3. M3 × 0.5 screw locked torque MAX
5Kgf.cm/0.49N.m

MUI65 SERIES

Mechanical Drawing

Screw Terminal



CON1: INPUT CONNECTOR

PIN	
1	Line
3	Neutral

MOUNTING HOLES MARKED WITH

Must be connected to safety earth for CLASS 1 application

Screw locked torque MAX 2Kgf.cm/0.2N.m

Wire dimension range 26 - 16AWG

CON2: OUTPUT CONNECTOR

PIN	
1, 2	-Vout
3, 4	+Vout

Screw locked torque MAX 2Kgf.cm/0.2N.m

- All dimensions in inch (mm)
- Tolerance : $x.xx \pm 0.02$ ($x.x \pm 0.5$)
 $x.xxx \pm 0.01$ ($x.xx \pm 0.25$)
- M3 \times 0.5 screw locked torque MAX 5Kgf.cm/0.49N.m