



## MUIG130

### RANGE TYPES

OUTPUT VOLTAGE Vdc	RANGE TYPE
12-16	A
19-24	B
32-42	C
44-56	D

### MODEL DESIGNATION

SERIES	1XX	X	VO A, B, C or D	VO	OP
MUIG	Wattage	Plug Type C-14, C-8, C-6, C-18 (See Mechanical Specifications)	See Range Types Chart	Actual Output Voltage	Output Plug Type (See Options Available Page)

### Input Specifications

Input range, Vac	100 - 240	
Frequency, Hz	50 - 60	
Input current, A	≥ 2.0	
Inrush current, A	≤ 100	Cold start
Efficiency	Meet CEC Level V, VI	
Hold-up time, ms	≥ 8.3	
Turn on time, s	≤ 3.0	

### Output Specifications

Over voltage protection, Vdc	Latch off	
Over current protection	Auto-recovery	
Short circuit protection	Auto-recovery	
Over temperature protection	Latch off	

### Environmental Specifications

Operating temperature range, °C	0 to 40	
Storage temperature range, °C	-20 to 85	
Operating humidity range, %	10 - 95	
Storage humidity range, %	5 - 95	

### Physical Specifications

Design meet safety standard	UL/CUL, UL 60601, TUV/SUD, EN/IEC60601, CB, FCC	
Dimensions, inches (mm)	7.05 × 2.56 × 1.57 (179 × 65 × 40)	
Weight, g	705	
AC inlet	C-14, C-8, C-6, C-18	

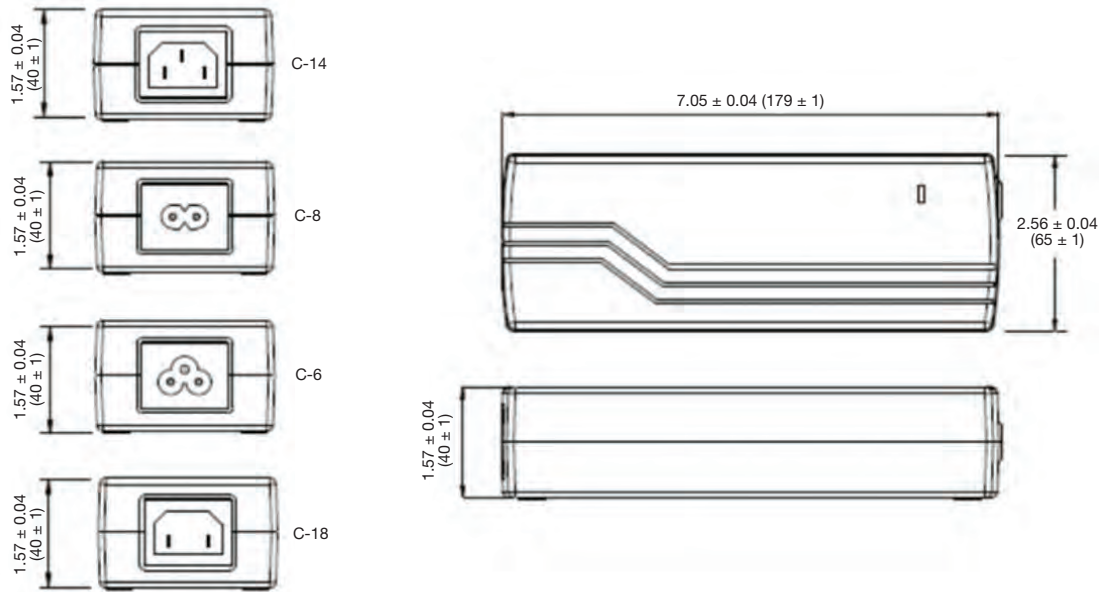
#### Note:

1. Ripple noise is measure by using 20MHz bandwidth limited oscilloscope and terminated each output with a 0.1μF ceramic capacitor and parallel with a 47μF aluminum capacitor at full load and nominal line.
2. Line regulation is defined by changing ±10% of input voltage from nominal line at rated load.
3. Max Output Power (W) ≥ Vo × Io.

**CAUTION:** This power module is not internally fused. An input line fuse must always be used.

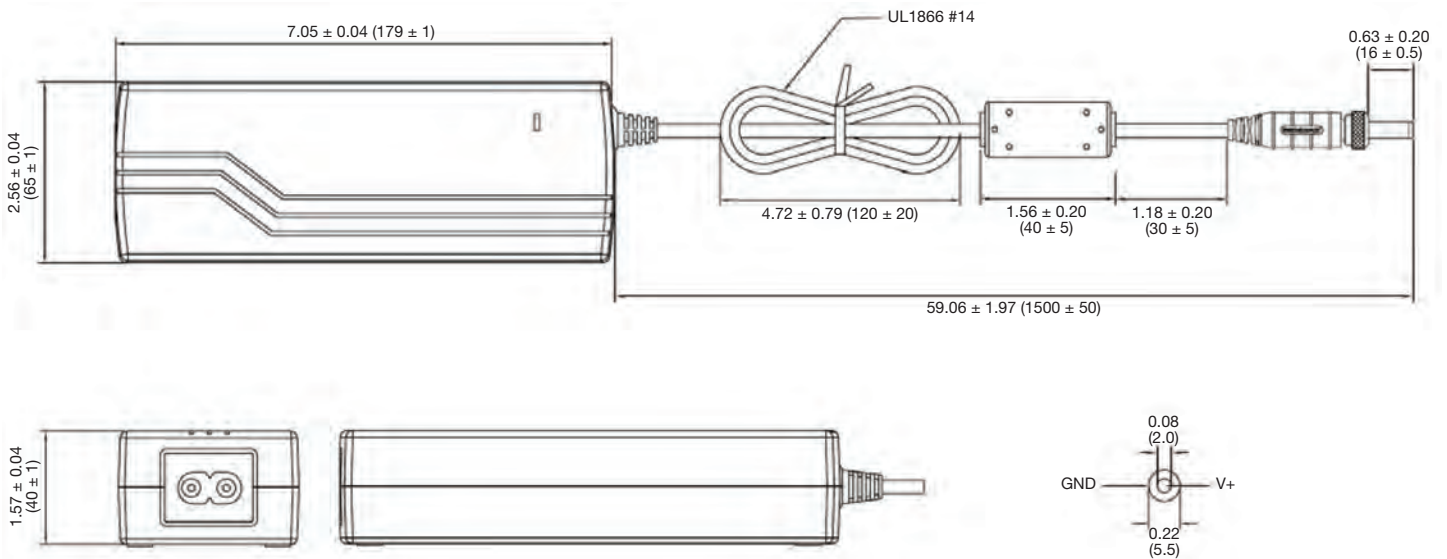
**MUIG130**

**Mechanical Specifications**



1. All dimensions in inches (mm)

**Adapter Cable**




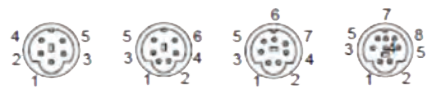




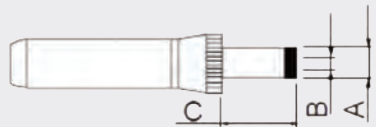
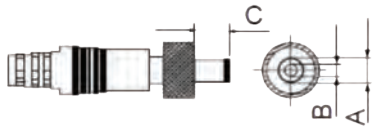
**MUIG130**

**Options Available** Output Plug Types

Code	Plug Type	Specification	Outline/ Drawing (Contact Factory for Pin Connection Options)
00	Strip and Tined	NC	
01	Barrel Type	5.5 × 2.1	
02		5.5 × 2.5	
03		4.75 × 1.7	
04		4.0 × 1.7	
05		3.5 × 1.35	
06		2.35 × 0.7	
07		6.3 × 3.0	
08		6.5 × 1.4	
11		Barrel Type Right Angle	
12	5.5 × 2.5		
13	4.75 × 1.7		
14	4.0 × 1.7		
15	3.5 × 1.35		
16	2.35 × 0.7		
17	6.3 × 3.0		
18	6.5 × 1.4		
21	Din (male)	3Pin	
22		4Pin	
23		5Pin(180)	
24		5Pin(240)	
25		6Pin	
26		7Pin	
27		8Pin	

**MUIG130**

**Options Available** Output Plug Types (cont.)

Code	Plug Type	Specification	Outline/ Drawing (Contact Factory for Pin Connection Options)					
31	Mini-Din (male)	3Pin						
32		4Pin						
33		5Pin						
34		6Pin						
35		7Pin						
36		8Pin						
41	Power-Mini Din (male)	3Pin (Molding)						
42		4Pin (Molding)						
45		3Pin (Assembly/Lock Type)						
46		4Pin (Assembly/Lock Type)		 <table border="1" style="display: inline-table; vertical-align: middle;"> <thead> <tr> <th>Pin #</th> <th>Output</th> </tr> </thead> <tbody> <tr> <td>2, 4</td> <td>+V</td> </tr> <tr> <td>1, 3</td> <td>-V</td> </tr> </tbody> </table>	Pin #	Output	2, 4	+V
Pin #	Output							
2, 4	+V							
1, 3	-V							
61	Interchangeable Connector	2Pin						
62		2Pin						
63		3Pin						
71	Switchcraft Locking Type	A:5.5, B:2.5, C:0.375" (9.52mm)						
72		A:5.5, B:2.5, C:0.475" (12.06mm)						
73		A:5.5, B:2.1, C:0.375" (9.52mm)						
74		A:5.5, B:2.1, C:0.475" (12.06mm)						
81	DC Jack with Screw	A:5.5, B:2.1, C:7.5						
82		A:5.5, B:2.1, C:10.1						
91	Cigarette Lighter		