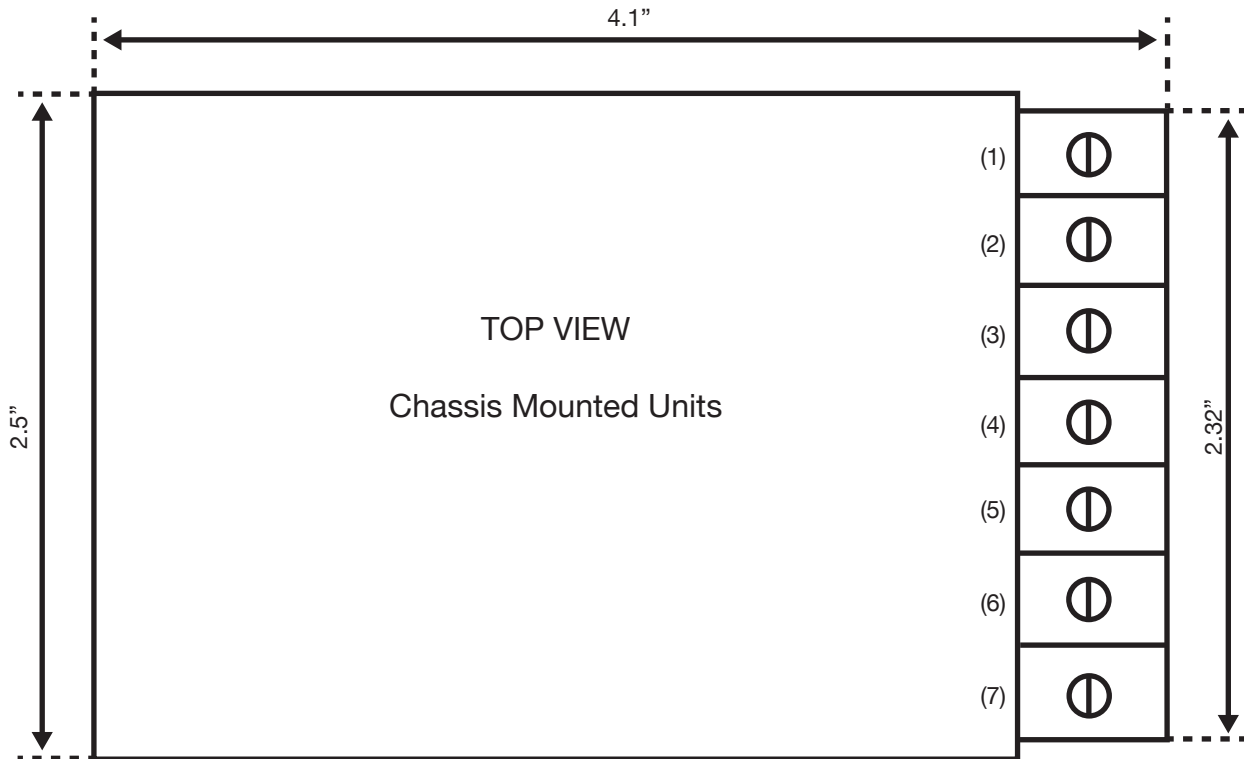


## WIRING INSTRUCTIONS: AC-DC LINEAR POWER MODULES DUAL SWITCHABLE AC INPUT VOLTAGE

SINGLE AND DUAL OUTPUT CHASSIS MOUNT (CASE A, B, C, D)  
115/220VAC INPUT

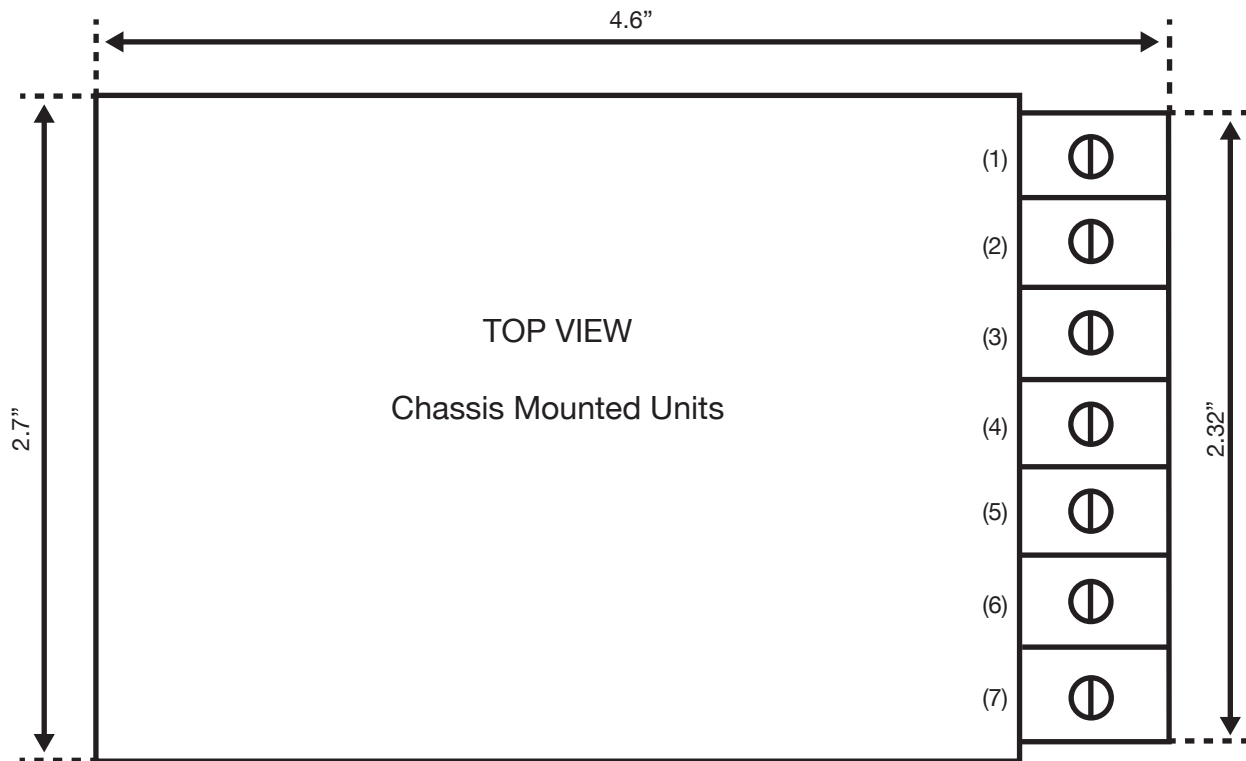


Terminal	Single Voltage	Dual V0
1	S1	S1
2	F1	F1
3	S2	S2
4	F2	F2
5	NC	-V0
6	CMN	CMN
7	+Vout	+V0

- Case Height dimensions can be: 1.25", 1.56" or 2.0" depending on model
- For 220V Operation Jumper "f1" to S2"
- Apply 220V Excitation Across "S1" and "F2"
- For 115V Operation Jumper "S1" to "S2" and "F1" to F2"
- Apply 115V excitation across "S1" and "F1"

## WIRING INSTRUCTIONS: AC-DC LINEAR POWER MODULES DUAL SWITCHABLE AC INPUT VOLTAGE

SINGLE AND DUAL OUTPUT CHASSIS MOUNT (CASE 1HT)  
115/220VAC INPUT



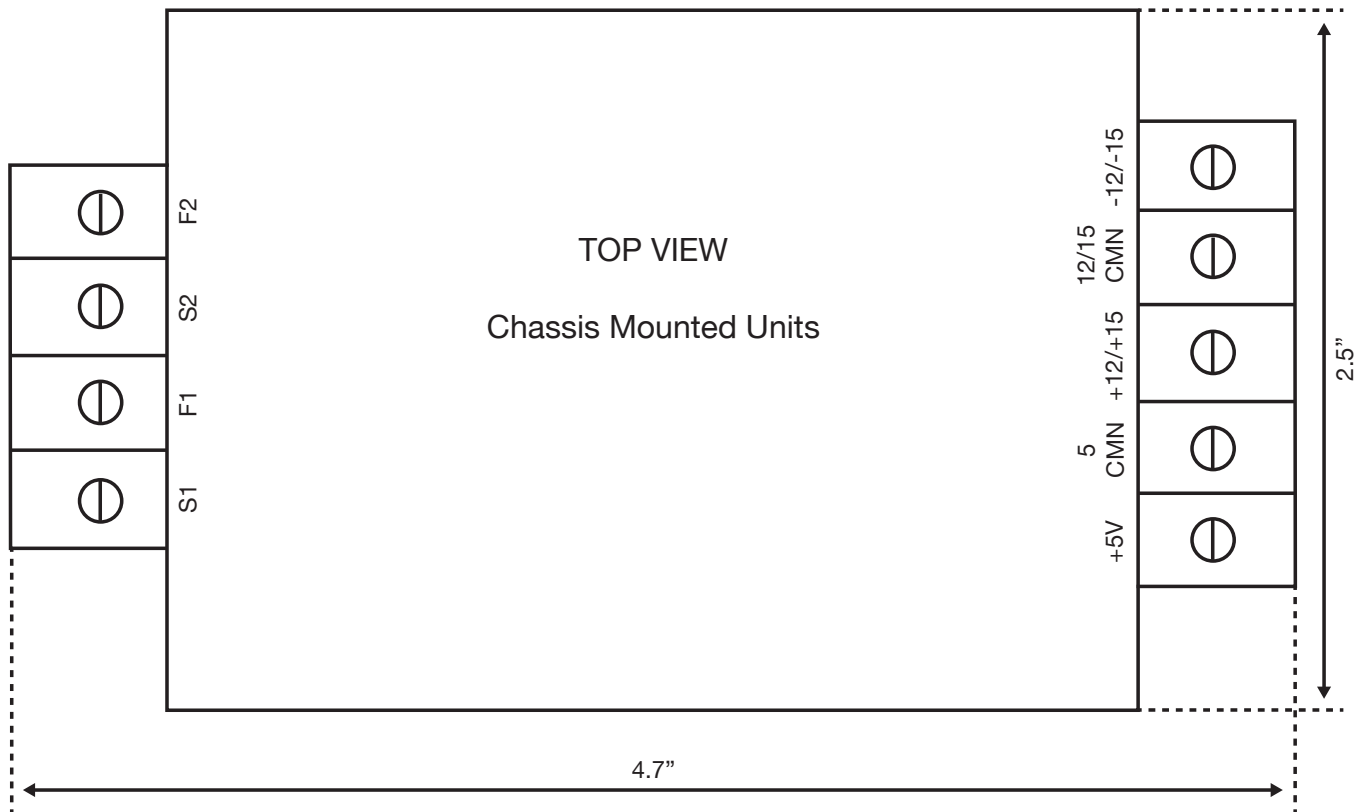
Terminal	Single Voltage	Dual V0
1	S1	S1
2	F1	F1
3	S2	S2
4	F2	F2
5	NC	-V0
6	CMN	CMN
7	+Vout	+V0

- Case Height dimensions: 2.0"

## WIRING INSTRUCTIONS: AC-DC LINEAR POWER MODULES

### DUAL SWITCHABLE AC INPUT VOLTAGE

TRIPLE OUTPUT CHASSIS MOUNT  
115/220VAC INPUT



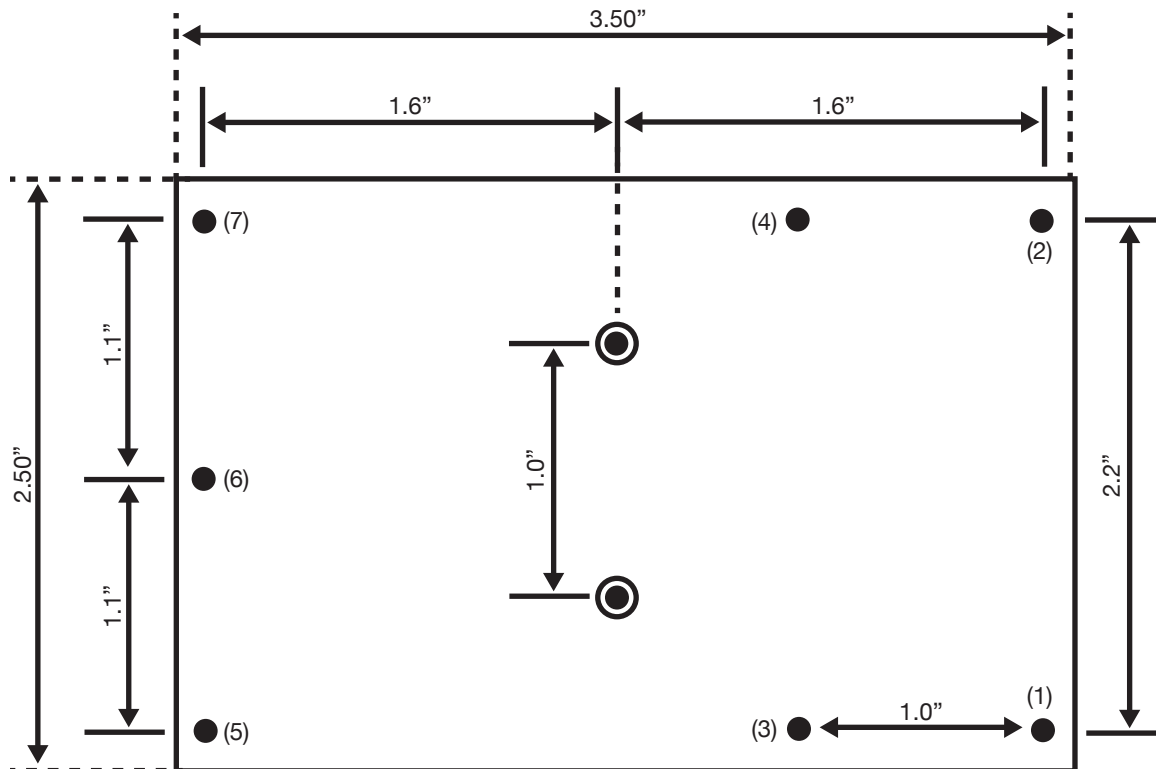
- Case Height dimensions can be: 1.56" or 2.0" depending on model
- Wire primaries in parallel for 115Vin Series for 220Vin
- S = Start of Primary Winding
- F = Finish of Primary Winding
- For lower voltage operation wire AC input in parallel and connect S1 and S2 and F1 and F2 together and excite across
- For higher voltage operation put winding in series and wire F1 to S2 and excite S1 and F2

# WIRING INSTRUCTIONS: AC-DC LINEAR POWER MODULES

## DUAL SWITCHABLE AC INPUT VOLTAGE

### SINGLE AND DUAL OUTPUT PC MOUNT

#### 115/220VAC INPUT

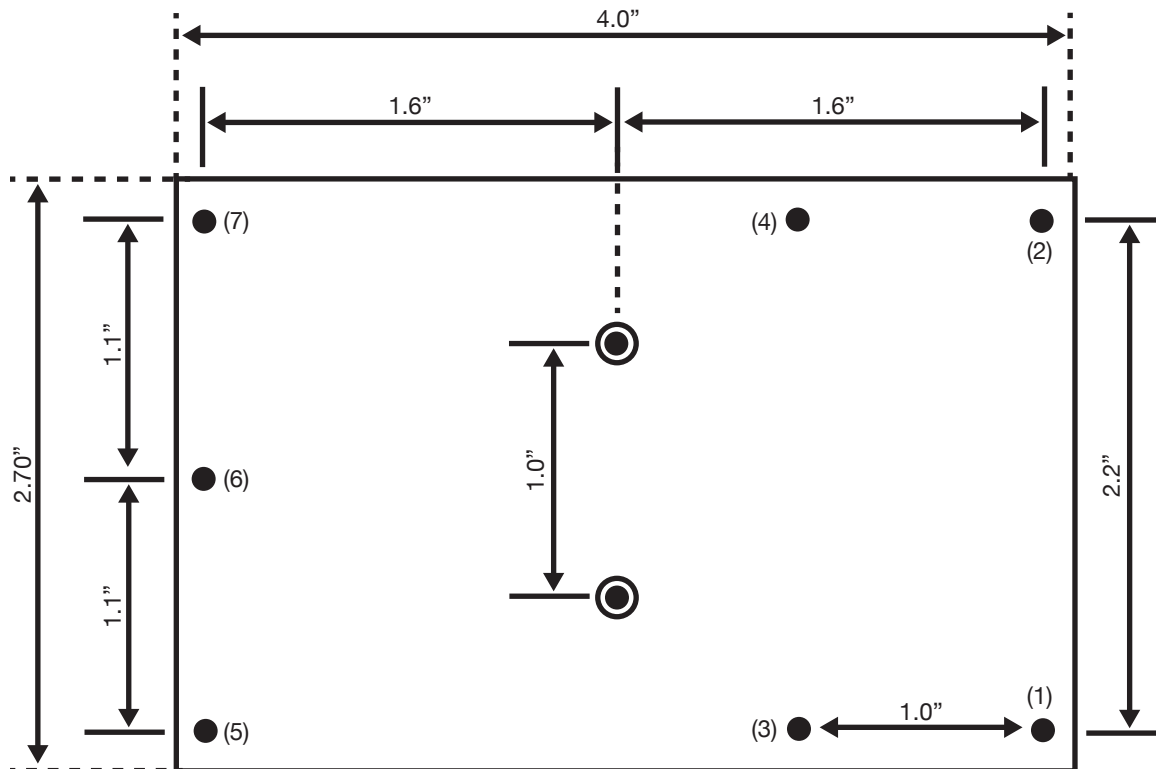


Connections	
PIN 1	Start Winding 1
PIN 2	Finish Winding 1
PIN 3	Finish Winding 2
PIN 4	Start Winding 2
PIN 5 + PIN 6	Common Out for Single V
PIN 5	For Dual Vout -Vout
PIN 6	For Dual Vout CMN
PIN 7	For Single/ Dual +Vout

- Case height dimensions can be: 1.25", 1.56" or 2.0" depending on model

## WIRING INSTRUCTIONS: AC-DC LINEAR POWER MODULES DUAL SWITCHABLE AC INPUT VOLTAGE

SINGLE AND DUAL OUTPUT PC MOUNT (CASE H)  
115/220VAC INPUT



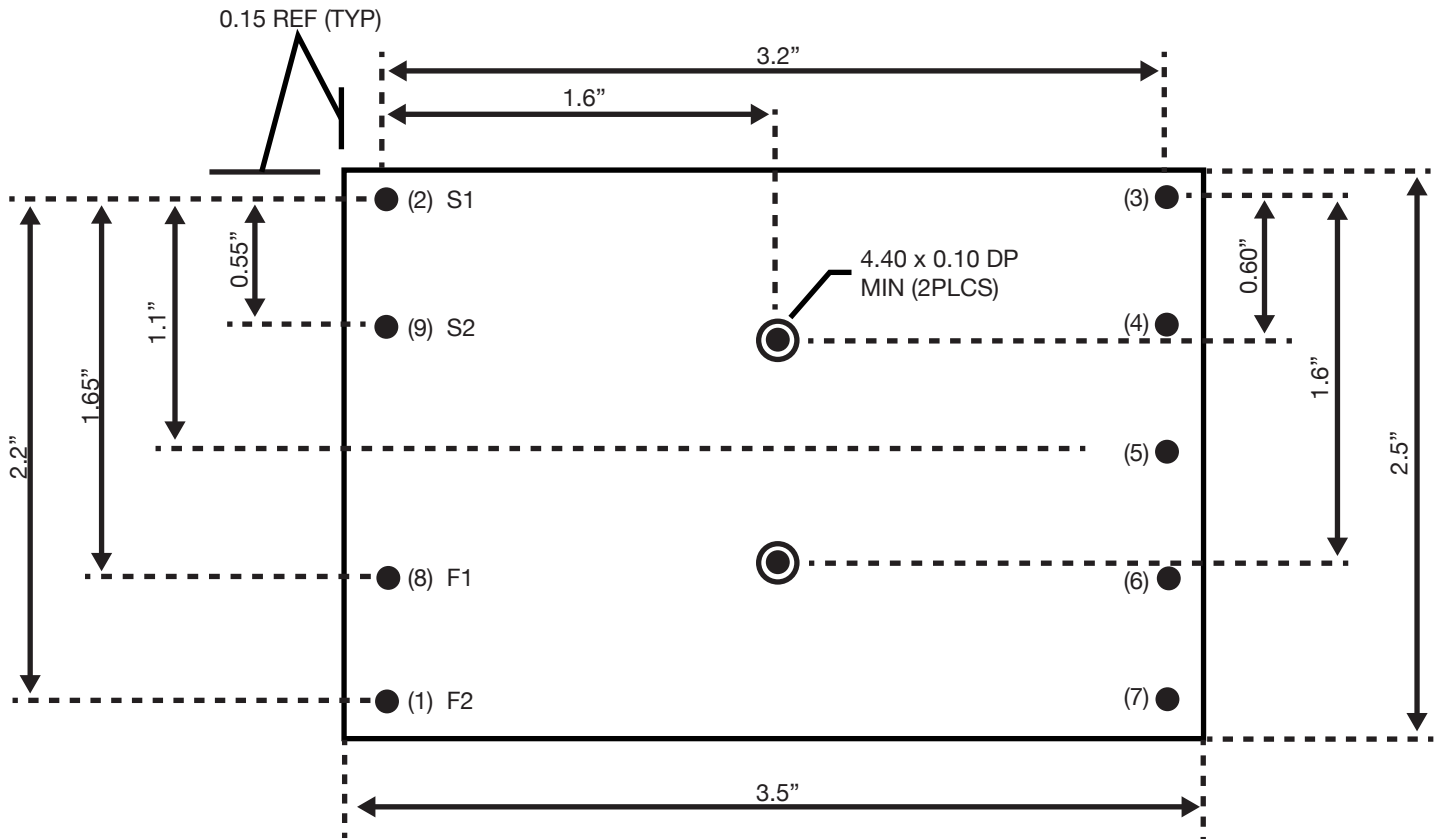
Connections	
PIN 1	Start Winding 1
PIN 2	Finish Winding 1
PIN 3	Finish Winding 2
PIN 4	Start Winding 2
PIN 5 + PIN 6	Common Out for Single V
PIN 5	For Dual Vout -Vout
PIN 6	For Dual Vout CMN
PIN 7	For Single/ Dual +Vout

- Case height dimensions: 2.0"

## WIRING INSTRUCTIONS: AC-DC LINEAR POWER MODULES

### DUAL SWITCHABLE AC INPUT VOLTAGE

TRIPLE OUTPUT PC MOUNT  
115/220VAC INPUT



#### Connections

Pin 1	F/N Winding 2
Pin 2	Start Winding 1
Pin 3	5 VDC Return
Pin 4	+5 VDC Output
Pin 8	FIN Winding 1
Pin 9	Start Winding 2

- Case height: 2.0"
- Pin 5-15 VDC Output -12 or -15
- Pin 6±15 VDC Return CMN 12/15
- Pin 7+15 VDC Output +12 or +15
- For 115V Input jumper 2 to 9 and 1 to 8
- For 220V Input jumper 8 to 9