



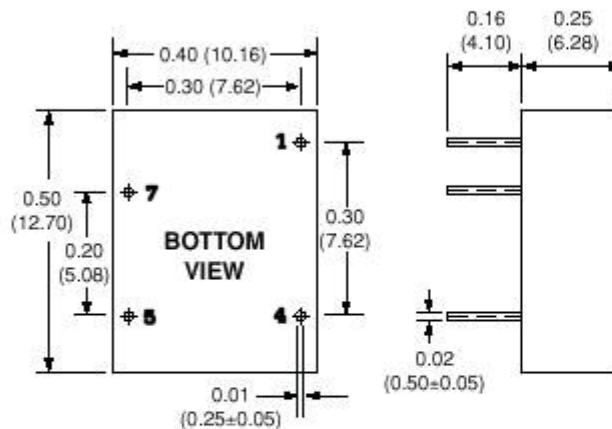
**Selection Guide**

*(Continued)*

SINGLE VOLTAGE OUTPUT	Input Voltage Nominal (Range) (Vdc)	Output Voltage (Vdc)	Output Current (mA)	Model Number
	3.3	3.3	154	TWU0.5-3.3S3.3
		5	200	TWU1-3.3S5
		9	110	TWU1-3.3S9
		12	84	TWU1-3.3S12
		15	67	TWU1-3.3S15
	5	3.3	154	TWU0.5-5S3.3
		5	200	TWU1-5S5
		9	110	TWU1-5S9
		12	84	TWU1-5S12
15		67	TWU1-5S15	
12	3.3	154	TWU0.5-12S3.3	
	5	200	TWU1-12S5	
	9	110	TWU1-12S9	
	12	84	TWU1-12S12	
	15	67	TWU1-12S15	
24	3.3	154	TWU0.5-24S3.3	
	5	200	TWU1-24S5	
	9	110	TWU1-24S9	
	12	84	TWU1-24S12	
	15	67	TWU1-24S15	

**Mechanical Specifications**

I/O Connections	
Pin	SINGLE
1	-Vin
4	+Vin
5	+Vout
7	-Vout



All Dimensions are in inches (mm)



**POLYTRON DEVICES, Inc.**

P.O. Box 398, Paterson, New Jersey 07544 U.S.A.  
 Tel: (973)345-5885 Fax: (973)345-1264 • Email: sales@polytrondevices.com • www.polytrondevices.com