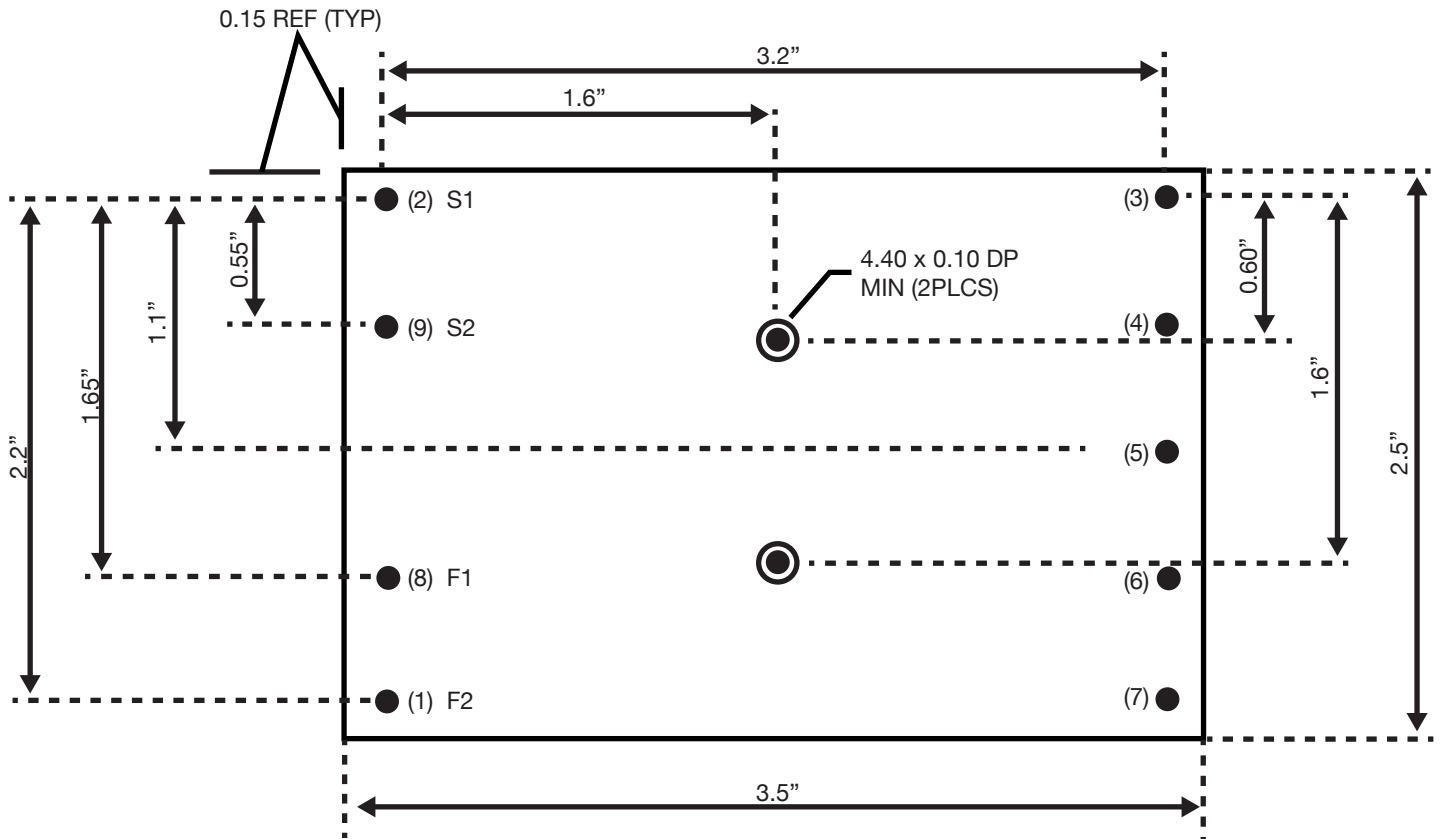


WIRING INSTRUCTIONS: AC-DC LINEAR POWER MODULES DUAL SWITCHABLE AC INPUT VOLTAGE

TRIPLE OUTPUT PC MOUNT
115/220VAC INPUT



Connections

Pin 1	F/N Winding 2
Pin 2	Start Winding 1
Pin 3	5 VDC Return
Pin 4	+5 VDC Output
Pin 8	FIN Winding 1
Pin 9	Start Winding 2

- Case height: 2.0"
- Pin 5-15 VDC Output -12 or -15
- Pin 6±15 VDC Return CMN 12/15
- Pin 7+15 VDC Output +12 or +15
- For 115V Input jumper 2 to 9 and 1 to 8
- For 220V Input jumper 8 to 9